



## HV Overview

Harvey Vogel Manufacturing Co. (HV) is a complete metal service manufacturer that was founded in 1942. HV has two facilities totaling 203,000 square feet of manufacturing space and employs over 200 people running three shifts a day up to seven days a week.

### Manufacturing Capabilities

- Metal stamping
- Sheet metal fabrication
- CNC machining
- Water jet cutting
- TIG welding
- Robotic welding
- Mechanical assemblies
- Complete secondary services

### Production Machinery

- Over 200 stamping presses (from 10 to 400 tons)
- 3 CNC laser cutting systems (4,000 watt)
- CNC laser automation system (24 x 7)
- 2 CNC turret punch press
- Water jet cutting system
- 10 CNC controlled press brakes, some with 5 axis gauging
- 8 CNC machining centers
- 5 wire EDM machines
- Multiple MIG/TIG/Arc/Spot welders
- Stock reels and feed line equipment
- 3 Hamerlee leveling systems

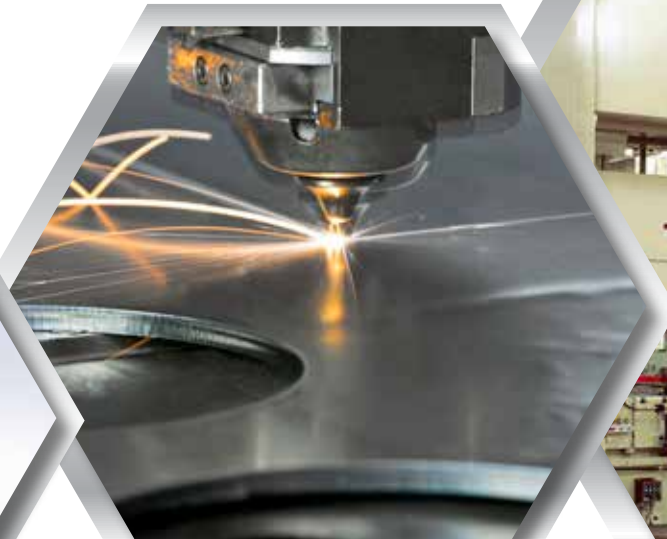
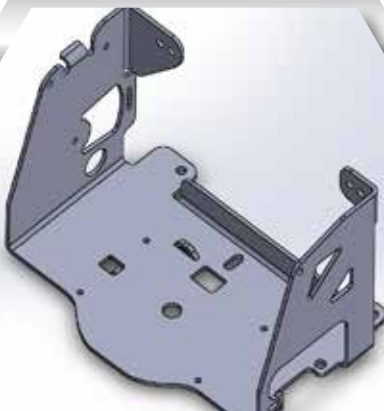
### Certifications



**ISO 14001**  
CERTIFIED

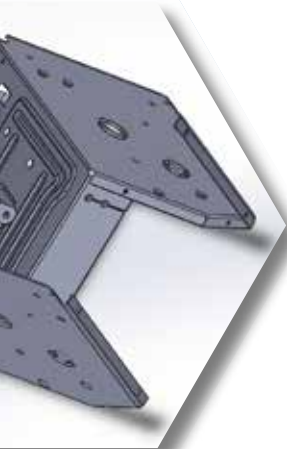


**ISO 9001**  
CERTIFIED



# HV Overview

## Manufacturing Services



- Design recommendations
- Cost saving techniques
- Rapid prototyping
- In-house tool & die
- Hardware insertion
- Part leveling, grinding & sanding
- Auto sealed air foam-in-bag packaging
- Part deburring & cleaning

## Stocking Programs



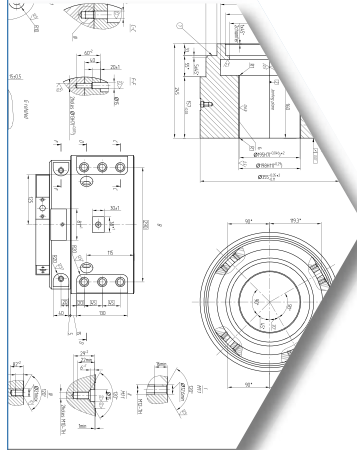
- KanBan
- Just in time
- Dock-to-stock
- Pull systems
- Customer-site managed inventory

## Quality Assurance Capabilities



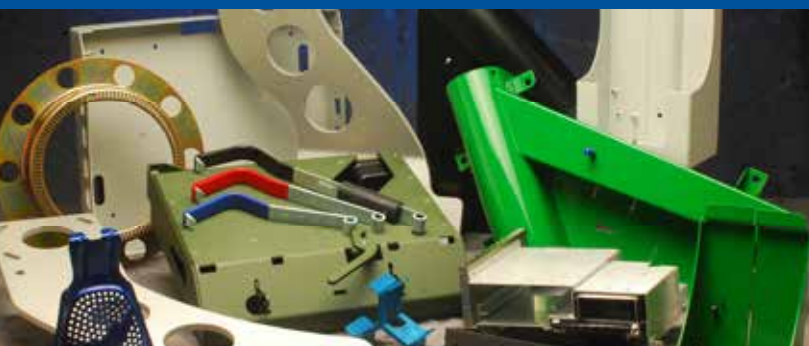
- First article inspection reports
- Receiving inspection data
- In-process/final inspection data
- Calibration database
- Corrective/preventative action
- CMMS & optical comparators
- PPAP and capability studies
- Statistical Process Control

## Software & Accepted Electronic Files



- Key Creator - Cadkey
- SolidWorks
- Auto-Cad
- Pro-Engineer
- IGES / DXF files

All of your metal stamping and assembly needs from one source



HARVEY VOGEL MANUFACTURING CO.

**Quality Metal Stampings  
and Fabrications from Prototype  
through Volume Production.**

- ◆ 2 facilities totalling 203,000 square feet
- ◆ Over 100 punch presses (ranging from 10 to 400 tons) to produce stampings from one millimeter to 72" x 36"
- ◆ Short run, medium run and progressive stampings
- ◆ Fabrication, laser, machining and waterjet cutting
- ◆ Stamp all material types (steel, stainless steel, aluminum, yellow metals)
- ◆ Just in time, kanban, 3rd party warehouse and vendor managed inventory programs available
- ◆ Ship worldwide
- ◆ An ISO 9001 and 14001 certified company



**"Your Complete Metal  
Service Manufacturer"**



Harvey Vogel is an  
ISO 9001 and 14001  
Certified Company

HARVEY VOGEL MANUFACTURING CO.  
425 Weir Drive • Woodbury, MN 55125-1200  
(651) 739-7373 • FAX (651) 739-8666

[www.harveyvogel.com](http://www.harveyvogel.com)

